

# DELUXX HP



**Ideal for**  
Boxes & Letters

**Optimal Depth**  
3-12 inches

**Module Consumption**  
0.72 Watts

**High Brightness**  
123 Lumens

**Beam Angle**  
160°

**Number of modules**  
1.5 per foot

**Waterproof**  
IP68

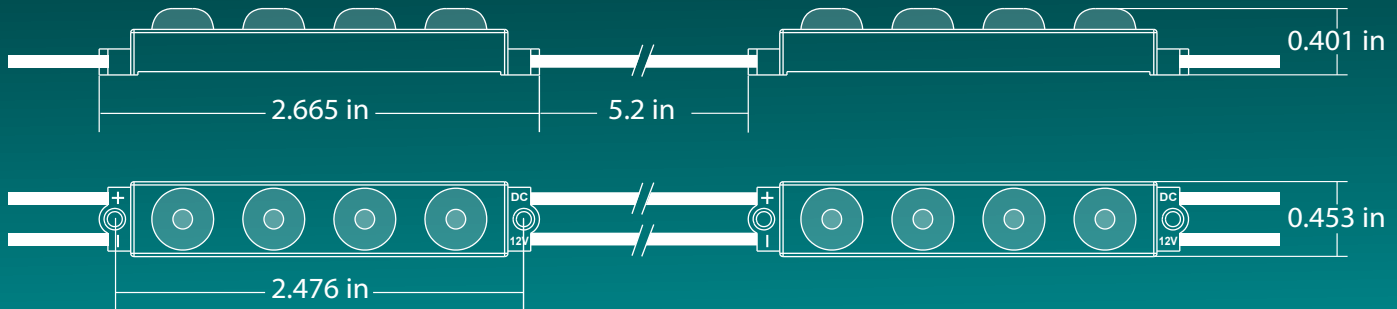
**Long Life Span**  
80,000 Hours

**Max. Load**  
75 Per 60W Power Supply

Excellent module efficacy 170 lm/w

Recommended Depth (inches)	3	4	5	6	7	8	9	10+
Distance Between Rows (inches)*	4-5	6-7	8	10	10-12	10-12	8-10	8

\* Measurements tested with acrylic face. May vary with thickness of material.



Product Code	Color	Lumens / Module	Watts / Module	Max. load for 60W 12V 5A, Class 2	Operating Temperature	Warranty	Waterproof Rating	Max Modules in Serie
GL-EV7-072WHP-160-65	White 6500K*	123	0,72W	75	-40° C to 60° C	5 years	IP 68	30

\*White 7200K optional

